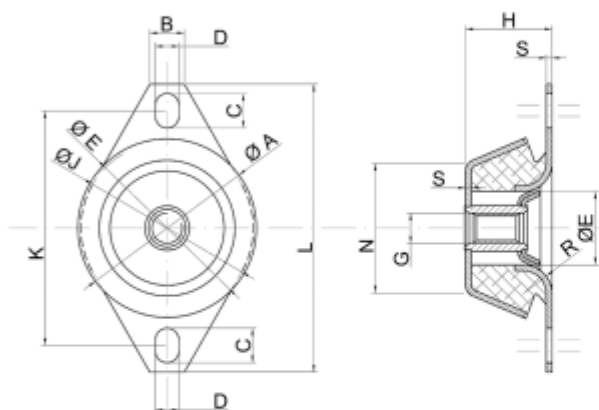


Antivibranti a Campana

Sirio CT con CONTROTAMPONE

SUPPORTI ANTIVIBRANTI A CAMPANA



TIPO		ASOLA		ØE mm	G mm	ØJ mm	K mm	R mm	H mm	L mm	N mm	S mm	CARICO STATICO NORMALE Kg
		C mm	D mm										
SIRIO 259/CT	62	11.8	8.2	60	M10	60	81.5	10	30	100	Ø45	2	200
SIRIO 259/CT INOX	62	11.8	8.2	60	M10	60	81.5	10	30	100	Ø45	2	200
SIRIO 260/CT	91	15.5	10	90	M16	90	106	12	42	130	Ø71		350
SIRIO 260/CT INOX	91	15.5	10	90	M16	90	106	12	42	130	Ø71		350
SIRIO 261/CT	115	24.8	16	120	M18	120	151	15	46	190	Ø95		600
SIRIO 261/CT INOX	115	24.8	16	120	M18	120	151	15	46	190	Ø95		600
SIRIO 263/CT	158	FORO Ø16.5		140	M16 e M20	90	200	10	56	232	125	5	1200